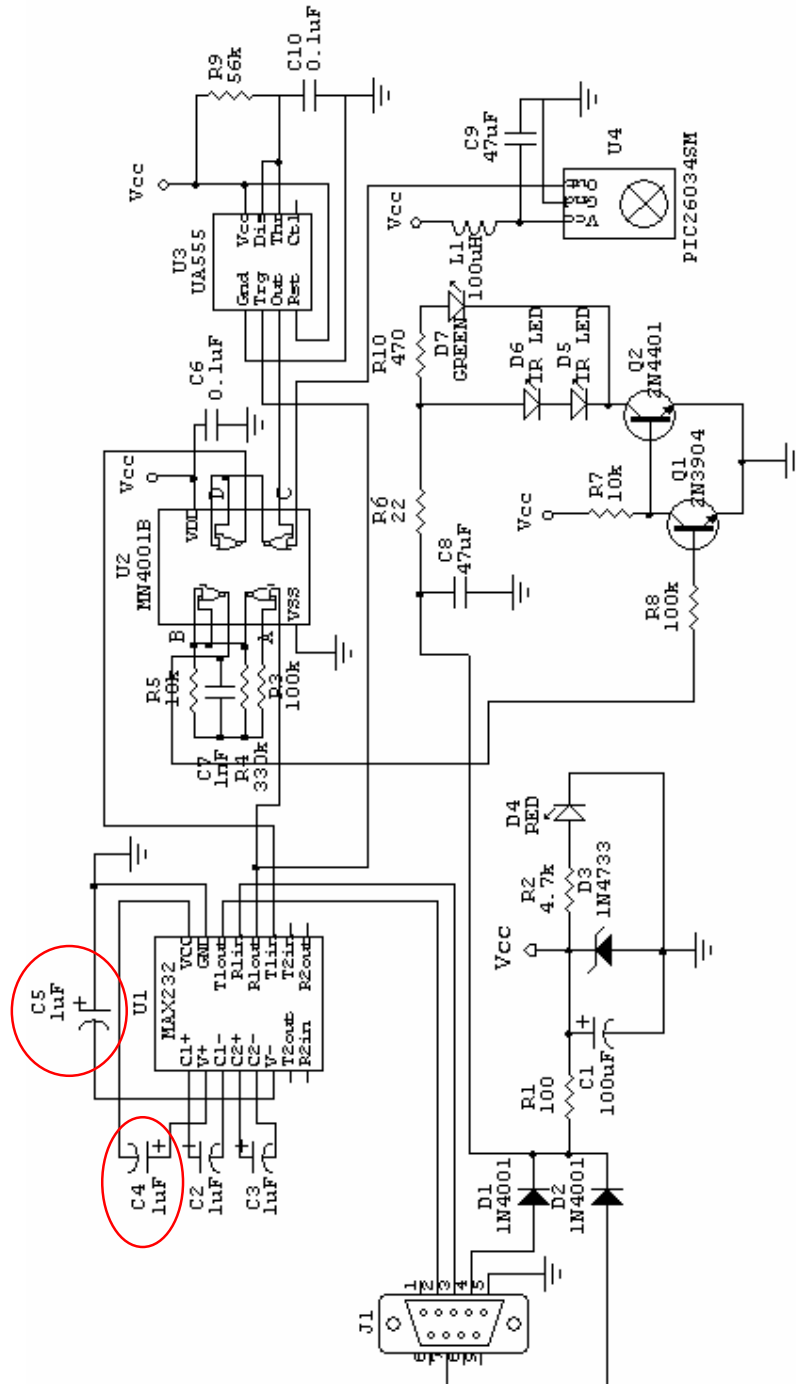


Appendix B: Schematic

- The schematic of Low Lost Infra-Red Wireless Link for PC-to-PC Communication is as follow:



Circuit designed by: F. Kung
 Schematic prepared by: Y. S. Yong
 Last update: 18 Jun 2010